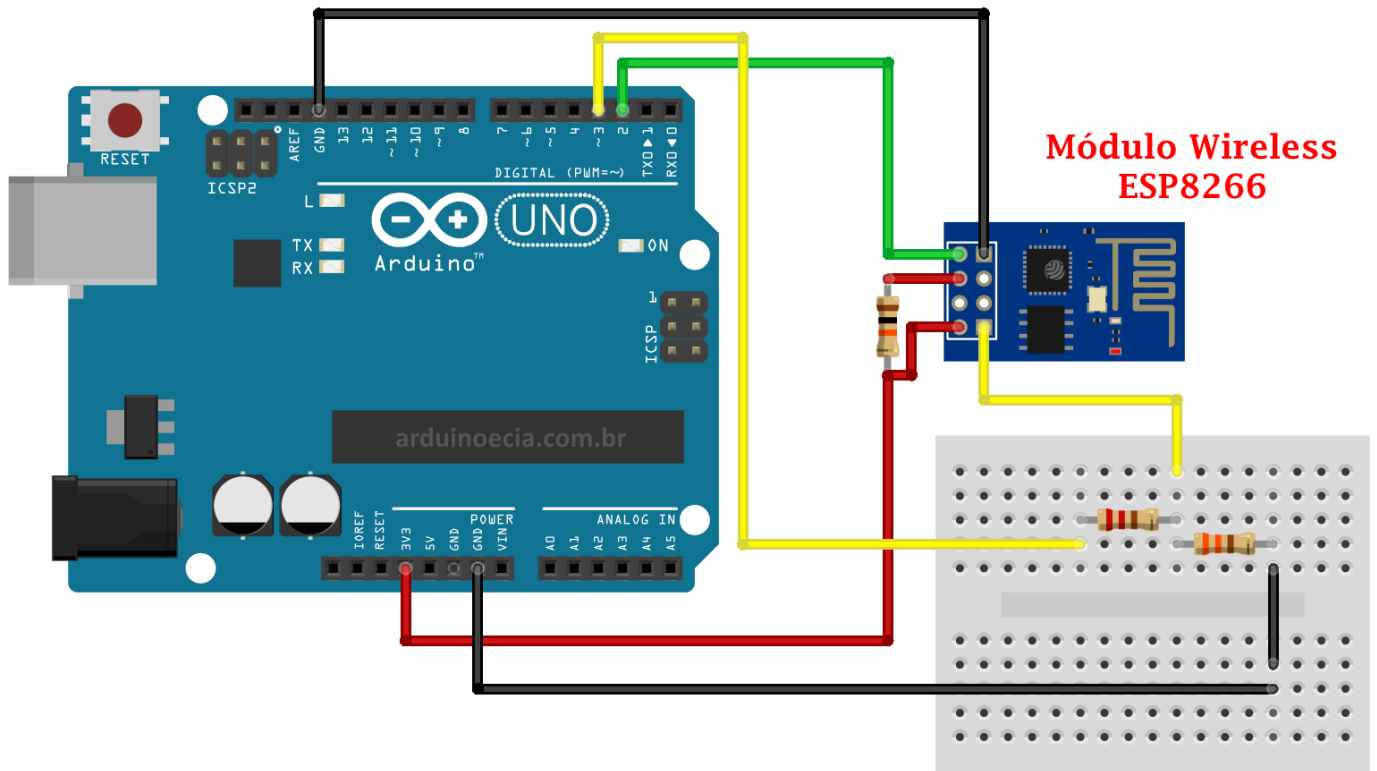




[Software Serial Esp8266 At Commands](#)



[Software Serial Esp8266 At Commands](#)



1 1 1 Firmware Flash the ESP 2 If you receive partial response from the ESP8266 when using software serial, go to: C: Program Files (x86) Arduino hardware arduino avr libraries SoftwareSerial src SoftwareSerial.. lua” Everything that you need to worry about or change is highlighted in red box in the following Figure.

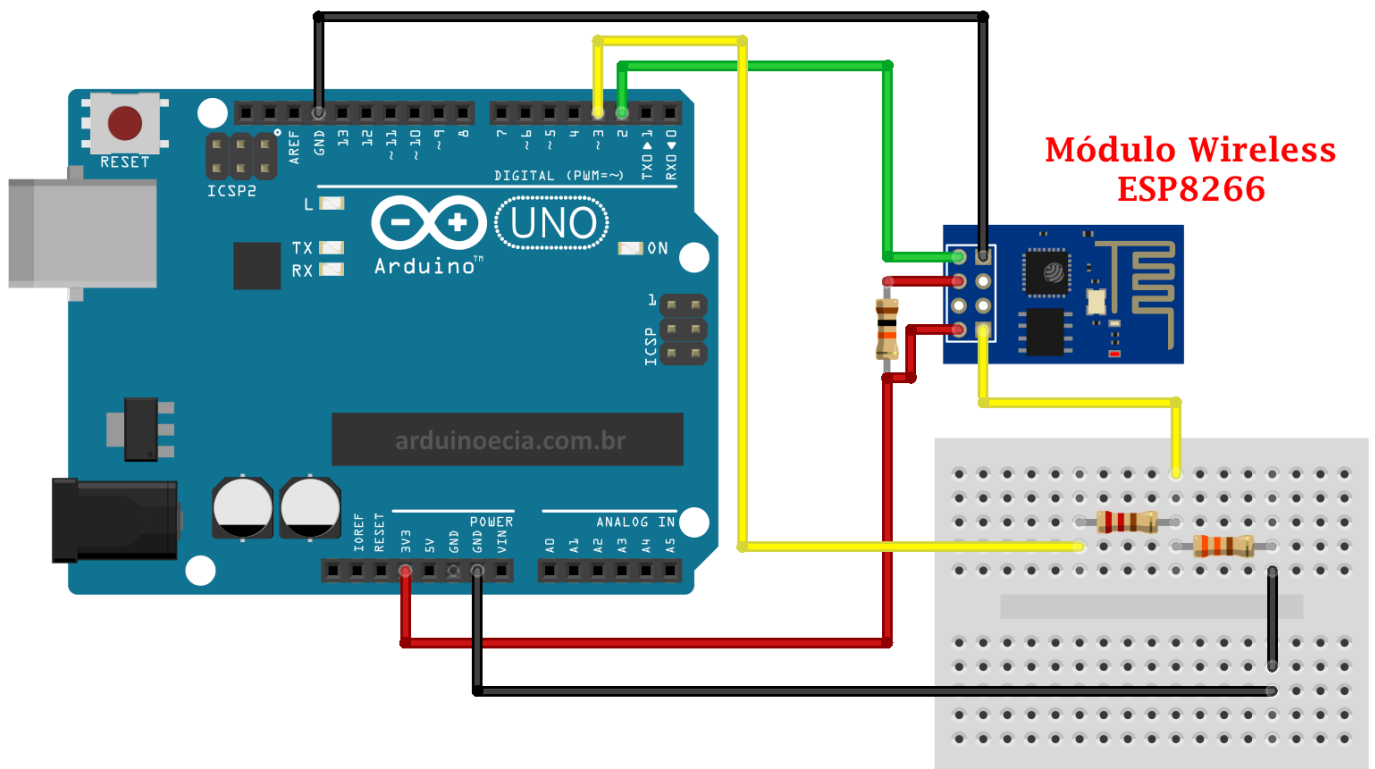
1. [software commands](#)
2. [software commands menu and toolbars](#)
3. [software commands pdf](#)

jar • Open the ESPlorer (as shown in the Figure below) Writing Your ESP8266 Script Copy and paste the code below into ESPlorer IDE window.. You begin a serial communication in the setup() function at a baud rate of 9600.. Final Circuit Follow the next schematics to complete this tutorial Note: I'm using a voltage divider to shift the TX signal of the Arduino from 5V to 3.. Downloading ESPlorer IDE I recommend using the ESPlorer IDE which is a program created by 4refr0nt to create and save Lua files into your ESP8266.. This will enlarge the software serial buffer Sometimes setting the baudrate on initialization fails, try resetting the Arduino, it should work fine.

software commands

software commands, software commands examples, software commands menu and toolbars, software commands of inkscape, software commands pdf, software commands logo, putty software commands, r software commands, bancs software commands, dragon software commands, commands software definition [Ram Teri Ganga Maili Ho Gayi Songspk](#)

Copy the sketch below to your Arduino IDE and upload it to your Arduino board. [Vinyl Floor Patch Kit : Free Programs, Utilities and Apps](#)



[Royal Crosscut Shredder 1216x](#)

software commands menu and toolbars

[Gratis Driver Printer Canon Mp 258](#)

Now if you open your Arduino serial monitor at a baud rate of 9600, you'll see a message appearing in your window saying "HI!" every 1 second.. Summary: The ESP is configured to listen to serial communications Every time that receives the string "HI!" at a baud rate of 9600, it will turn the GPIO 2 on or off.. 3v FTDI board like this one - Hookup the ESP to the FTDI - Get the ESP8266Flasher - Get the 1.. h Change line 42: #define _SS_MAX_RX_BUFF 64 // RX buffer size To: #define _SS_MAX_RX_BUFF 256 // RX buffer size. [evocam 3 7 5 keygen mac frei](#)

software commands pdf

[Mac Cocoa Object Library Hierarchy Map](#)

Then in the loop() function it prints "HI!" continuously every 1 second (that message will be received by your ESP later).. Home / Flower Platform / ESP8266 with AT Commands – Connect from PC A new AT Commands firmware to your ESP8266.. Serial port is open, type AT commands In the above example I am using software serial to talk to the ESP8266 and this is.. DOWNLOAD FREE PDF: Schematics (3 3V FTDI Programmer), follow the next schematics to establish a serial communication between your FTDI programmer and your ESP8266 to upload some code.. Seems to me software and Follow these instructions to download and install ESPlorer: • to download ESPlorer • Unzip that folder • Go to the main folder • Run ESPlorer.. If you have any issues, let us know:) RECOMMENDED: Uploading Your Arduino Sketch The Arduino sketch for this tutorial is very simple. ae05505a44 [Acer A12016w Driver For Mac](#)

ae05505a44

[Windows Mac Software Download](#)